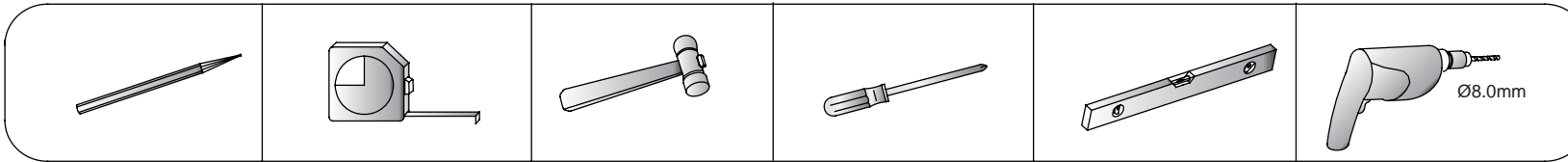
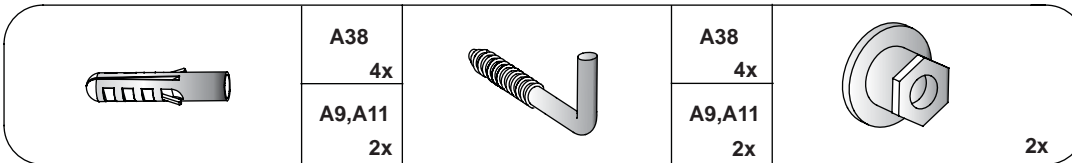


Tools required:



Parts supplied:

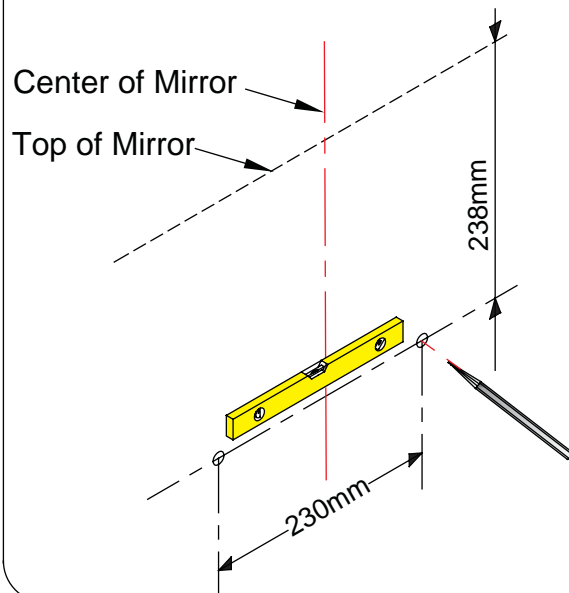


Product Cleaning:

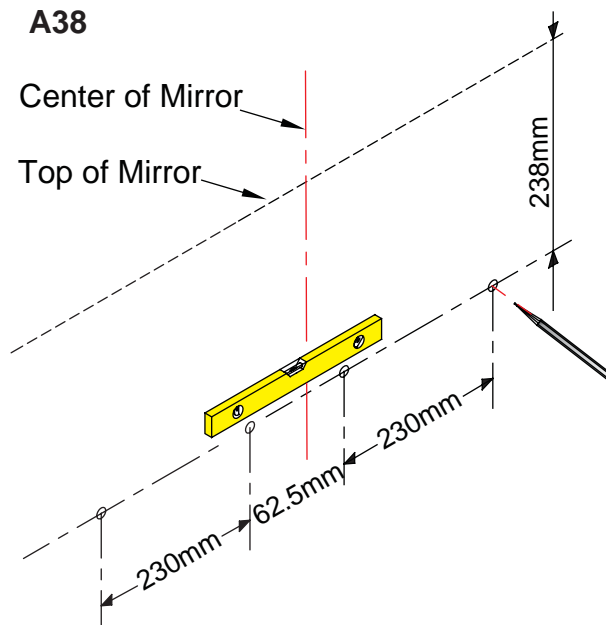
When cleaning steel surfaces, please use a soft damp cloth with washing up liquid or similar. Do not use cleaners containing bleach, as this will effect the stainless steel surface.

① Determine the final installation position, mark the fixing hole positions in pencil.

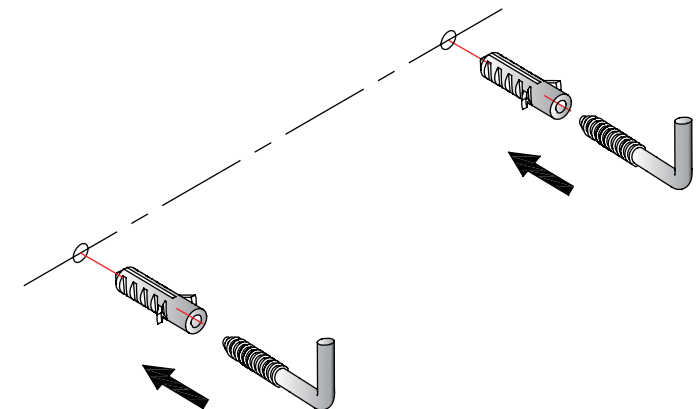
A9,A11



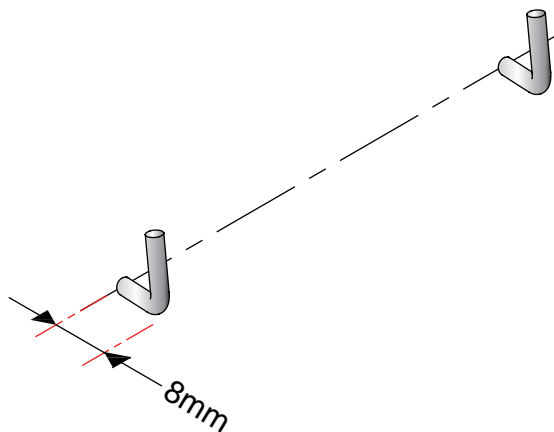
A38



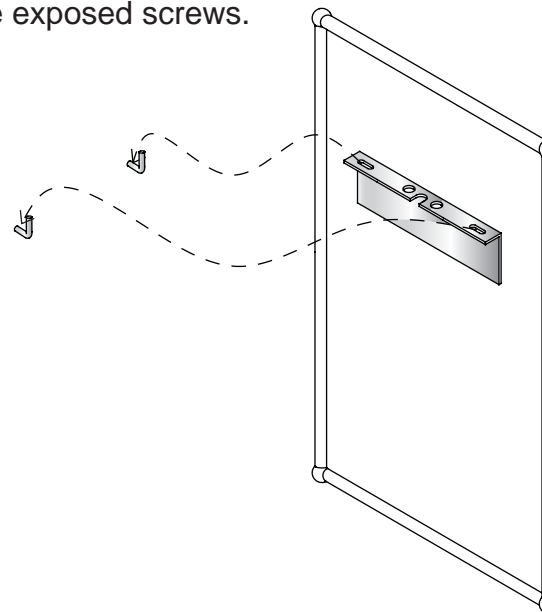
② Using a 8mm drill bit, drill holes on the marked positions. (note: In the event that the wall / floor fixings supplied being inappropriate for the wall / floor, please source alternatives).



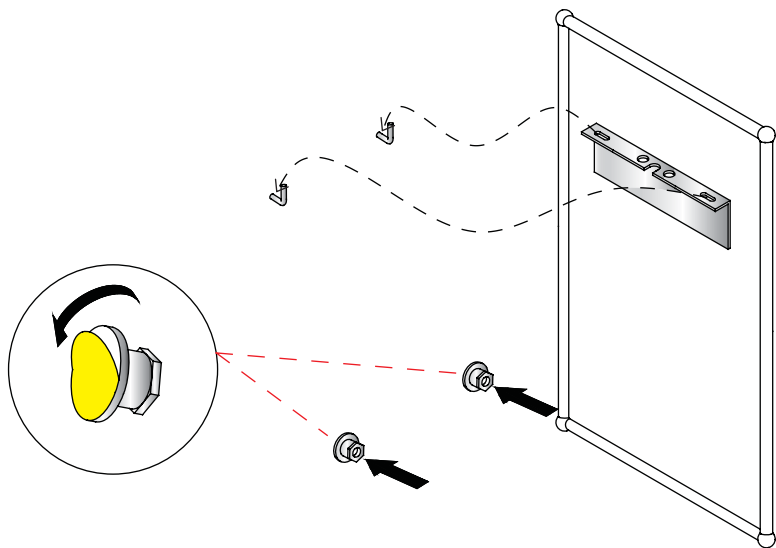
3 Keep the stainless screw exposed 8mm outside the wall.



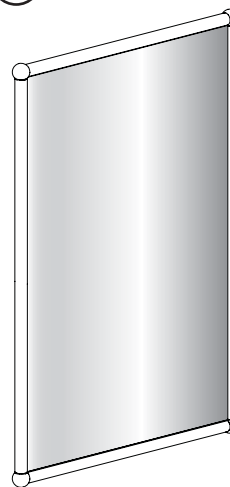
4 Mount the mirror onto the wall by hanging the bracket of mirror onto the exposed screws.



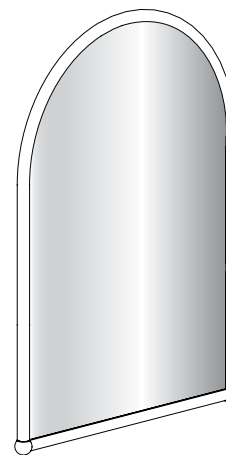
5 Check if it is stable. If not please readjust the exposed length of screws and use the washers supplied if needed.



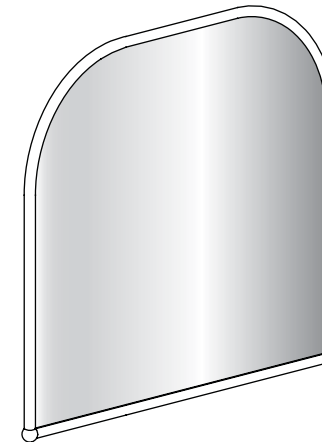
6



A11



A9



A38